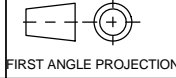


# A2 INSTALLATION DRAWING

If this document is printed in hardcopy, it is for information use only and therefore is not subject to updating controls. Always refer to viewer for latest issue.



THIS DRAWING IS CONFIDENTIAL AND IS SUPPLIED ON THE EXPRESS CONDITION THAT IT SHALL NOT BE LOANED OR COPIED OR DISCLOSED TO ANY OTHER PERSON OR USED FOR ANY OTHER PURPOSE WITHOUT THE WRITTEN CONSENT OF AP RACING LTD.



**AP Racing**  
Wheler Road  
Coventry  
CV3 4LB

Tel: +44 024 7663 9595  
Fax: +44 024 7663 9559  
e-mail: sales@ap racing.co.uk  
Web site: http://www.ap racing.com

© AP Racing Ltd. 2005

## CP2905-8 (WITH END CONNECTOR) & CP2905-18, CP2905-29 & CP2905-33 (NO END CONNECTOR) CABLE ADJUSTERS

A HIGH QUALITY BALANCE BAR CABLE ADJUSTER IDEA FOR ANY COMPETITION VEHICLE. ANODISED ALUMINIUM ALLOY BODY WITH 1/4 TURN CLICK STOPS FOR VIBRATION PROOF POSITIONING. THE Ø3.8mm INNER STEEL CABLE HAS A POLYETHYLENE 'FR' SELF EXTINGUISHING OUTER TUBE AND IS GENERALLY STIFFER THAN MOST ADJUSTER CABLES ON THE MARKET TO RESIST 'WIND UP'. THE ADJUSTER BODY CAN EASILY FITTED THROUGH A Ø20mm HOLE IN THE DASHBOARD. SUPPLIED IN 1200mm OR 900mm LENGTHS WITH ADJUSTABLE END FITTING ALLOWING THE CABLE TO BE CUT TO THE REQUIRED LENGTH, THE KIT INCLUDES CABLE CLIPS AND TWO DIRECTIONAL STICKERS.

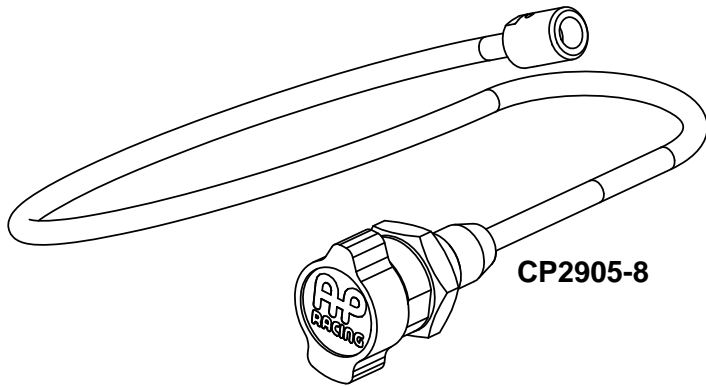
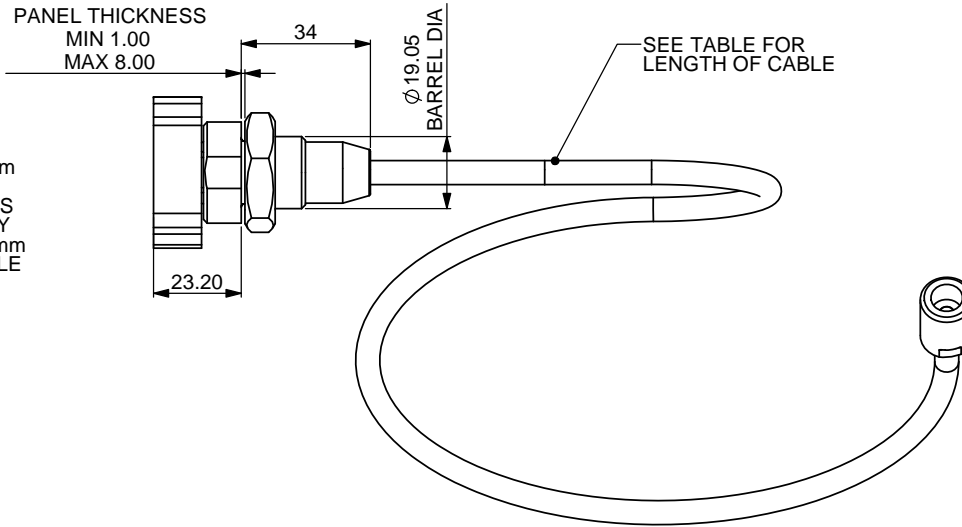
PANEL THICKNESS  
MIN 1.00  
MAX 8.00

34

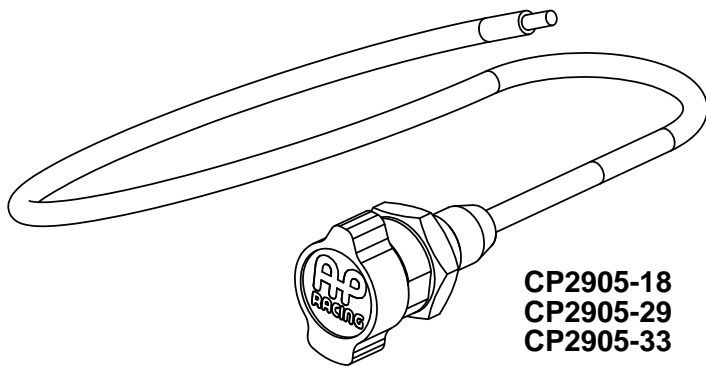
Ø19.05  
BARREL DIA.

SEE TABLE FOR LENGTH OF CABLE

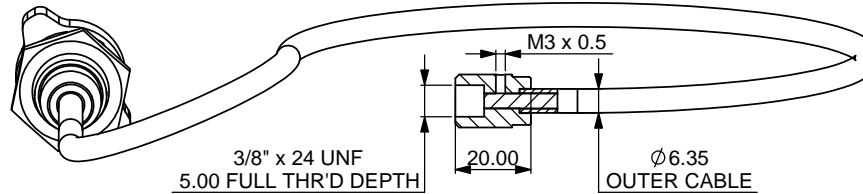
23.20



**CP2905-8**



**CP2905-18  
CP2905-29  
CP2905-33**



PART NUMBER	LENGTH OF CABLE (mm)
CP2905-8	1200
CP2905-18	1200
CP2905-29	900
CP2905-33	1800

Issue No.	Date & No.	Alterations		Zone	Initials
		Particulars			
1	18/03/09 B5513	FIRST ISSUE			SAT
2	21/07/09 B5655	CP2905-29 ADDED			SAT
3	14/01/11 B6144	CP2905-33 ADDED			SAT

SCALE 2:1	SHEET 1 OF 1
DRAWN	Steve Thomas
APPROVED	
DERIVED FROM	
TITLE CABLE ADJUSTERS	
DRG NO.	CP2905-8/18CD